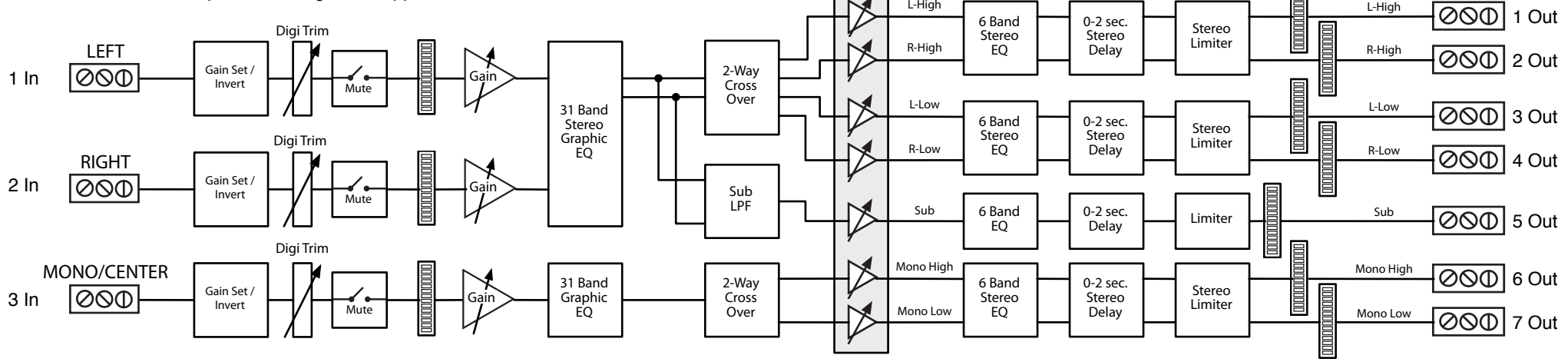


Standard Crossover Speaker Management Approach



4 None
 ↑
 8 None

8 None